



# BONSMARA BEESTELERSGENOOTSKAP VAN SA

Saamgestel deur die Suid-Afrikaanse Stamboek- en Veeverbeteringsvereniging

Stamboom- en Prestasiedata korrek gesertifiseer

Veilingsdatum: 09/09/2010

Data soos op 19/07/2010 09:50:03

## EXPLANATION OF ABBREVIATIONS IN CATALOGUE

## VERDUIDELIKING VAN AFKORTINGS IN KATALOGUS

|                     |             |             |                              |
|---------------------|-------------|-------------|------------------------------|
| Birth details       | BIRTH       | GEBOORTE    | Geboorte Besonderhede        |
| Growth traits       | GROWTH RATE | GROEIVERMOë | Groei Eienskappe             |
| Efficiency traits   | EFFICIENCY  | DOELTREFF   | Doeltreffendheids eienskappe |
| Body measurements   | MEASURE     | MATES       | Liggaamsmates                |
| Reproduction traits | REPROD      | REPROD      | Reproduksie eienskappe       |
| Detail of parents   | PARENTS     | OUERS       | Inligting van ouers          |

|                                |          |          |                                  |
|--------------------------------|----------|----------|----------------------------------|
| Lot number                     | Lot      | Lot      | Lotnommer                        |
| Seller                         | Seller   | Verkoper | Verkoper                         |
| Identification number          | ID       | ID       | Identifikasienommer              |
| Generation/Section of Herdbook | Gen      | Gen      | Generasie/Afdeling van kuddeboek |
| Award received                 | Aw/Award | Toek     | Toekenning ontvang               |
| Phase tested                   | Phase    | Fase     | Fase getoets                     |
| Contemporaries in test         | Cont     | Tydg     | Tydenote in toets                |
| Weight in kilogram             | Wgt      | Gew      | Gewig in kilogram                |
| Index                          | Ind      | Ind      | Indeks                           |
| Accuracy of breeding value     | Acc      | Akk      | Akkuraatheid van teelwaarde      |

| BREEDING VALUES                  |           |           | TEELWAARDES                          |
|----------------------------------|-----------|-----------|--------------------------------------|
| Birth direct (kg)                | Birth Dir | Geb Dir   | Geboorte direk (kg)                  |
| Birth maternal (kg)              | Birth Mat | Geb Mat   | Geboorte maternaal (kg)              |
| Wean direct (kg)                 | Wean Dir  | Speen Dir | Speen direk (kg)                     |
| Wean maternal (kg)               | Wean Mat  | Speen Mat | Speen maternaal (kg)                 |
| 12 Months (kg)                   | 12M       | 12M       | 12 Maande (kg)                       |
| 18 Months (kg)                   | 18M       | 18M       | 18 Maande (kg)                       |
| Average daily gain (g/day)       | ADG       | GDT       | Gemiddelde daaglikse toename (g/dag) |
| Mature weight (kg)               | Matur Wgt | Volw Gew  | Volwasse gewig (kg)                  |
| Feed conversion ratio            | FCR       | VOV       | Voeromsetverhouding                  |
| Average daily feed intake        | DFI       | GDI       | Gemiddelde daaglikse voer inname     |
| Feedlot profit (Rands and cents) | Feed Prof | Voer Wins | Voerkraalwins (Rande en sente)       |
| Height (mm)                      | Hgt       | Hgt       | Hoogte (mm)                          |
| Length (mm)                      | Lgt       | Lgt       | Lengte (mm)                          |
| Calving tempo (calves)           | Calf Temp | Kalf Temp | Kalftempo (kalwers)                  |
| Scrotal circumference (mm)       | SC        | SO        | Skrotum omvang (mm)                  |

|                                      |           |         |                                     |
|--------------------------------------|-----------|---------|-------------------------------------|
| Skin thickness in millimetres        | Skin      | Vel     | Veldikte in millimeter              |
| Length: Height ratio                 | L:H       | L:H     | Lengte: Hoogteverhouding            |
| Age at 1st calving in months         | AFC (m)   | OEK (m) | Ouderdom 1ste kalf in maande        |
| Average Inter-calving period in days | ICP       | TKP     | Gemiddelde Tussenkalfperiode in dae |
| Age in years and months              | Age       | Oud     | Ouderdom in jare en maande          |
| Number of calvings                   | Calv      | Kalw    | Aantal kalwings                     |
| Average Wean index                   | Ave WI    | Gem SI  | Gemiddelde Speenindeks              |
| Number of calves                     | Calf      | Kalf    | Aantal kalwers                      |
| Days open since last calving         | Days Open | Dae Oop | Dae oop sedert laaste kalwing       |
| Reproduction index                   | R.I.      | R.I.    | Reproduksie Indeks                  |
| Calf information                     | Calf      | Kalf    | Kalf informasie                     |



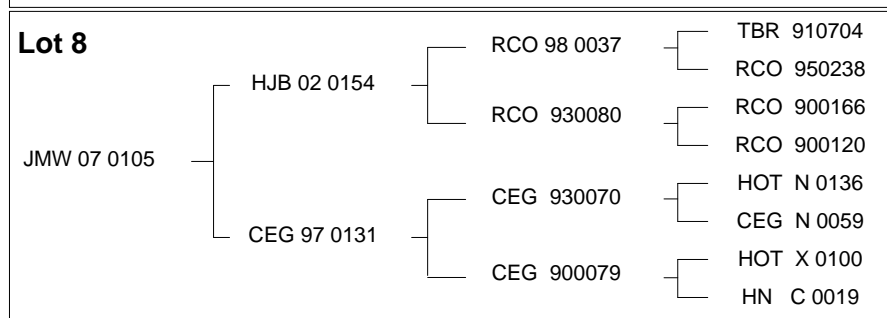
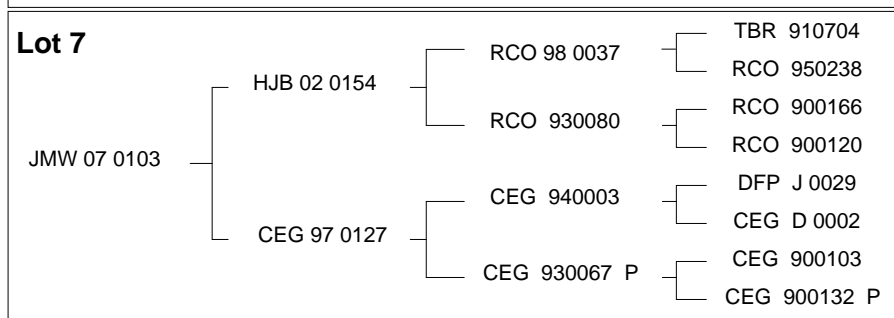
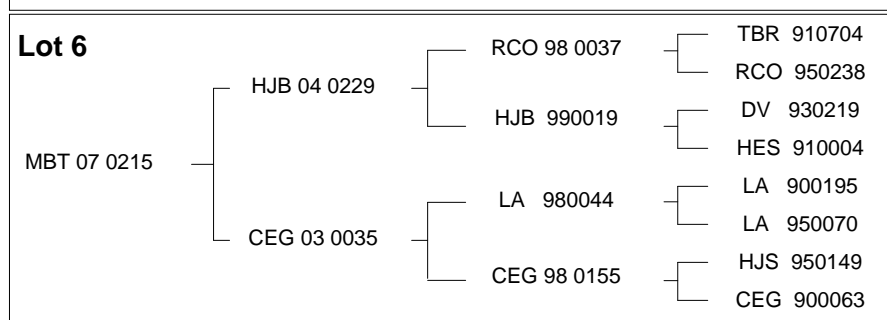
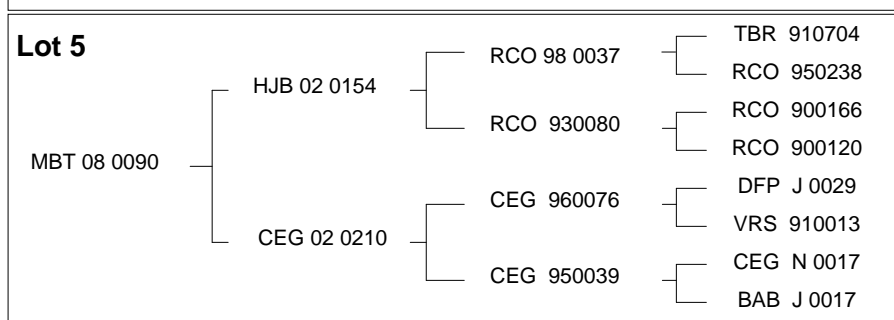
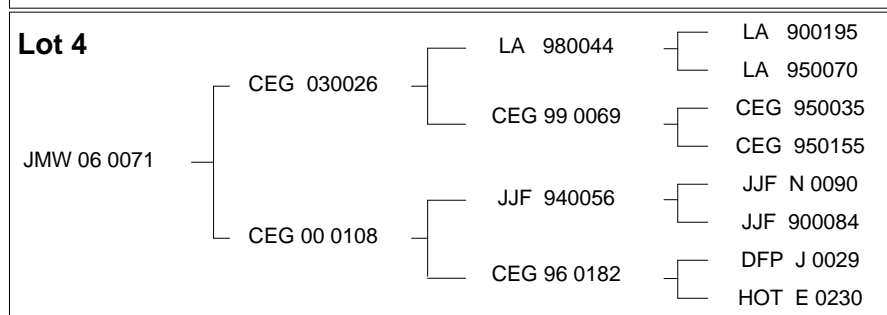
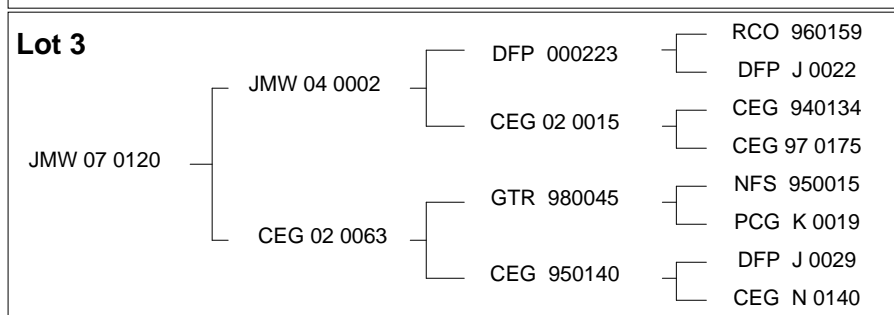
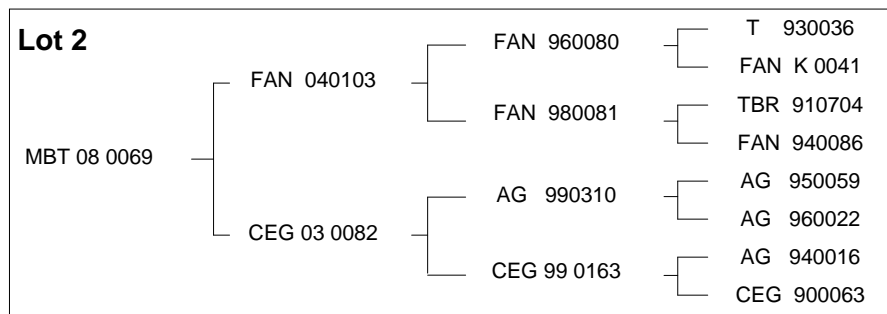
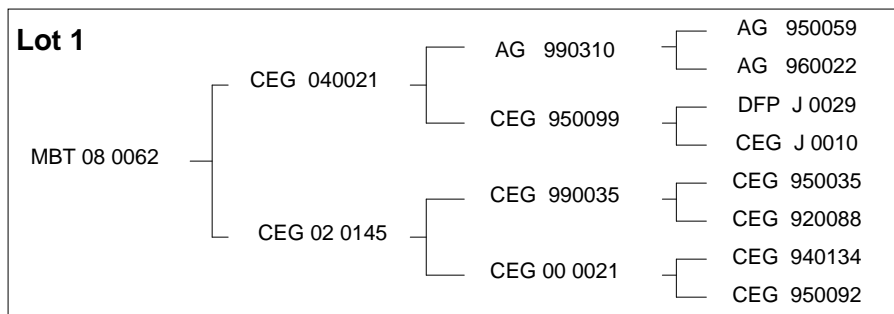


# BONSMARA CATTLE BREEDERS' SOCIETY OF SA

Compiled by the South African Stud Book and Livestock Improvement Association

Pedigree- and Performance data certified correct

Auction Date: 09/09/2010  
Data as on 19/07/2010 09:50:03





# BONSMARA BEESTELERSGENOOTSAP VAN SA

Saamgestel deur die Suid-Afrikaanse Stamboek- en Veeverbeteringsvereniging

Stamboom- en Prestasiedata korrek gesertifiseer

Veilingsdatum: 09/09/2010

Data soos op 19/07/2010 09:50:10

## BULLE

| Lot  | Verkoper               | ID          | Afd   | Fase | GEBORTE    |             | GROEIVERMOË |           |            |            |            | DOELTREFF |            |            | MATES        |          |          | REPROD   |             | OUERS      |             |               |         |      |        | TELER SE EIE<br>OPMERKINGS |                                    |
|------|------------------------|-------------|-------|------|------------|-------------|-------------|-----------|------------|------------|------------|-----------|------------|------------|--------------|----------|----------|----------|-------------|------------|-------------|---------------|---------|------|--------|----------------------------|------------------------------------|
|      |                        |             |       |      | Geb Dir    | Geb Mat     | Speen Dir   | Speen Mat | 12M        | 18M        | Volw Gew   | GDT       | VOV        | GDI        | Voer Wins    | Hgt      | Lgt      | Vel (mm) | Kalf Temp   | SO         | Vaar        |               | Moer    |      |        |                            |                                    |
|      |                        |             |       |      | Akk        | Akk         | Akk         | Akk       | Akk        | Akk        | Akk        | Akk       | Akk        | Akk        | Akk          | Akk      | Akk      | Akk      | Akk         | Akk        | ID          | ID            | OEK (m) | Oud  | Gem SI |                            | R.I.                               |
| Toek | Tydg                   | Gew         | Datum | Gew  | Ind        | Ind         | Ind         | Ind       | Ind        | Ind        | Ind        | Ind       | Ind        | Ind        | Ind          | (mm)     | (mm)     | L:H      | (mm)        | Toek       | Toek        | TKP           | Kalw    | Kalf |        |                            |                                    |
| 9    | MAARTEN BOERDERY TRUST | MBT 07 0250 | SP    | C    | 2.58<br>28 | 0.07<br>27  | 10.3<br>31  | 0.6<br>29 | 15.4<br>28 | 23.2<br>28 | 0.0<br>27  | 199<br>35 | -388<br>34 | 494<br>35  | 53.29<br>36  | 11<br>41 | 26<br>35 | 15       | 39.00<br>43 | 7.5<br>39  | HJB 04 0229 | CEG 01 0121   | 37      | 8    | 101    | 103                        | Silwer                             |
|      |                        |             |       | 602  | -          | 22.10.07    | 253         | 97        | -          | -          |            | 117       | 117        |            |              | 1203     | 1376     | 1.14     |             | 339        | -           | -             | 387     | 6    | 5      |                            |                                    |
| 10   | MAARTEN BOERDERY TRUST | CEG 07 0095 | SP    | B    | 4.58<br>35 | 0.09<br>29  | 17.2<br>31  | 0.7<br>29 | 33.9<br>37 | 48.3<br>38 | 33.0<br>27 | 224<br>27 | -355<br>27 | 638<br>27  | 48.27<br>27  | 20<br>28 | 34<br>27 | -        | 52.00<br>44 | 7.4<br>28  | HJB 04 0229 | CEG 98 0247   | 34      | 11   | 109    | 108                        | Top Moer                           |
|      |                        |             |       | 14   | 48         | 11.11.07    | 296         | 106       | 110        | 111        |            | -         | -          |            |              | -        | -        | -        |             | -          | -           | -             | 385     | 9    | 8      |                            |                                    |
| 11   | MOOISPRUIT BONSMARA    | JMW 07 0101 | SP    | D    | 3.66<br>35 | 0.27<br>30  | 14.4<br>31  | 1.0<br>30 | 24.3<br>37 | 31.2<br>28 | 18.0<br>28 | 142<br>35 | -180<br>28 | 544<br>28  | 13.27<br>33  | 21<br>42 | 24<br>35 | 13       | 39.00<br>46 | 17.0<br>40 | HJB 02 0154 | CEG 02 0211   | 31      | 7    | 98     | 105                        |                                    |
|      |                        |             |       | 39   | 48         | 13.10.07    | 283         | 103       | -          | -          |            | 109       | -          |            |              | 1205     | 1423     | 1.18     |             | 372        | -           | -             | 418     | 5    | 4      |                            |                                    |
| 12   | MOOISPRUIT BONSMARA    | JMW 07 0125 | SP    | D    | 0.62<br>35 | -0.47<br>27 | 5.9<br>31   | 2.6<br>27 | 17.5<br>36 | 19.7<br>28 | 14.0<br>25 | 121<br>35 | -215<br>26 | 363<br>26  | 34.89<br>32  | 5<br>41  | 9<br>35  | 14       | 45.00<br>38 | 21.9<br>39 | JMW 04 0002 | JMW 04 0015   | 35      | 5    | 109    | 102                        |                                    |
|      |                        |             |       | 39   | 35         | 21.10.07    | 281         | 108       | -          | -          |            | 108       | -          |            |              | 1168     | 1368     | 1.17     |             | 380        | -           | -             | 374     | 3    | 2      |                            |                                    |
| 13   | MAARTEN BOERDERY TRUST | MBT 07 0191 | SP    | C    | 1.15<br>35 | -0.58<br>29 | 7.6<br>31   | 2.4<br>30 | 16.6<br>28 | 20.2<br>28 | 22.0<br>28 | 17<br>35  | 72<br>34   | 162<br>36  | -11.71<br>36 | -8<br>41 | 5<br>35  | 19       | 39.00<br>45 | 5.7<br>39  | CEG 04 0021 | CEG 03 0174   | 29      | 6    | 103    | 99                         | Bron                               |
|      |                        |             |       | 15   | 45         | 18.09.07    | 298         | 113       | -          | -          |            | 99        | 92         |            |              | 1193     | 1416     | 1.19     |             | 353        | -           | -             | 481     | 4    | 3      |                            |                                    |
| 14   | MAARTEN BOERDERY TRUST | CEG 07 0100 | SP    | C    | 1.87<br>35 | -0.47<br>28 | 8.6<br>32   | 1.8<br>29 | 15.5<br>29 | 19.7<br>28 | 17.0<br>26 | 173<br>36 | -368<br>35 | 286<br>36  | 74.92<br>36  | 10<br>42 | 13<br>36 | 20       | 35.00<br>42 | -3.2<br>40 | CEG 05 0056 | MCU 99 0054 P | 31      | 10   | 101    | 110                        | Silwer<br>Poena<br>Moer Elite 2010 |
|      |                        |             |       | 602  | 45         | 20.11.07    | 265         | 94        | -          | -          |            | 115       | 117        |            |              | 1220     | 1338     | 1.1      |             | 314        | -           | -             | 388     | 8    | 8      |                            |                                    |
| 15   | MOOISPRUIT BONSMARA    | JMW 07 0122 | SP    | C    | 1.29<br>34 | -1.09<br>30 | 4.6<br>32   | 3.6<br>30 | 20.0<br>28 | 24.9<br>28 | 17.0<br>28 | 48<br>36  | -380<br>34 | -411<br>36 | 66.15<br>36  | 1<br>42  | -2<br>36 | 16       | 30.00<br>44 | 18.7<br>40 | CEG 03 0101 | CEG 02 0082   | 30      | 8    | 106    | 99                         | Goud                               |
|      |                        |             |       | 20   | 39         | 19.10.07    | 274         | 103       | -          | -          |            | 104       | 126        |            |              | 1211     | 1359     | 1.12     |             | 387        | -           | -             | 455     | 5    | 5      |                            |                                    |
| 16   | MOOISPRUIT BONSMARA    | JMW 07 0115 | SP    | C    | 2.09<br>34 | 0.31<br>27  | 9.6<br>31   | 3.9<br>27 | 22.5<br>27 | 29.7<br>28 | 28.0<br>26 | 98<br>35  | -8<br>32   | 531<br>34  | 2.11<br>35   | 12<br>41 | 30<br>35 | 15       | 55.00<br>36 | 6.4<br>39  | JMW 04 0002 | JMW 04 0008   | 24      | 6    | 103    | 113                        | Bron                               |
|      |                        |             |       | 20   | 45         | 14.10.07    | 281         | 104       | -          | -          |            | 97        | 97         |            |              | 1218     | 1485     | 1.22     |             | 340        | -           | -             | 423     | 4    | 2      |                            |                                    |



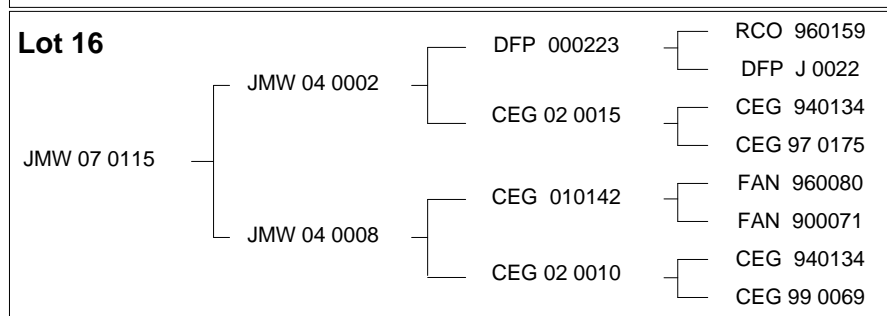
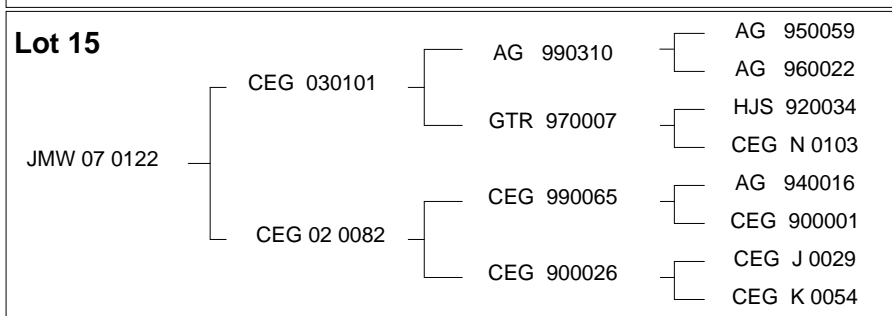
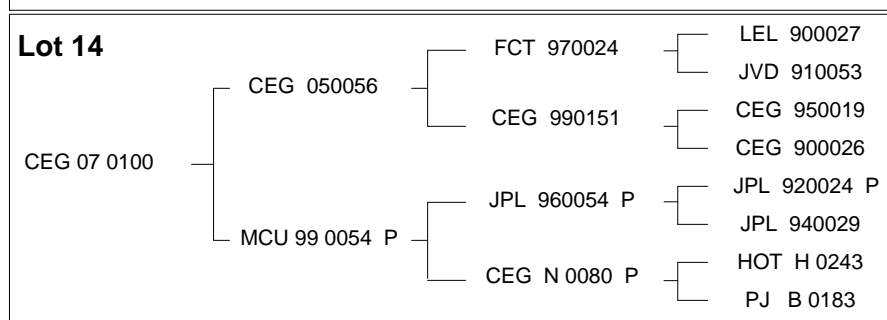
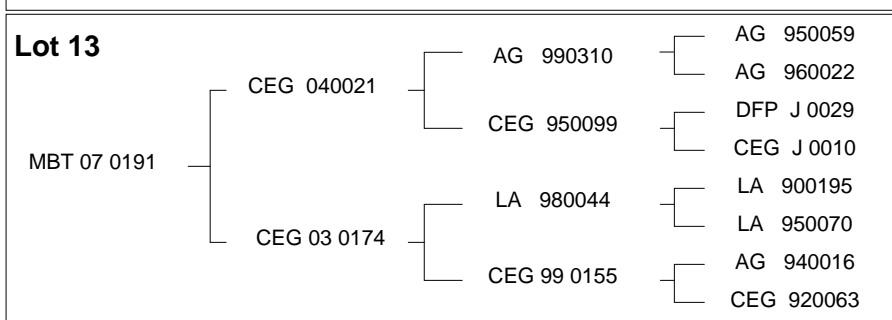
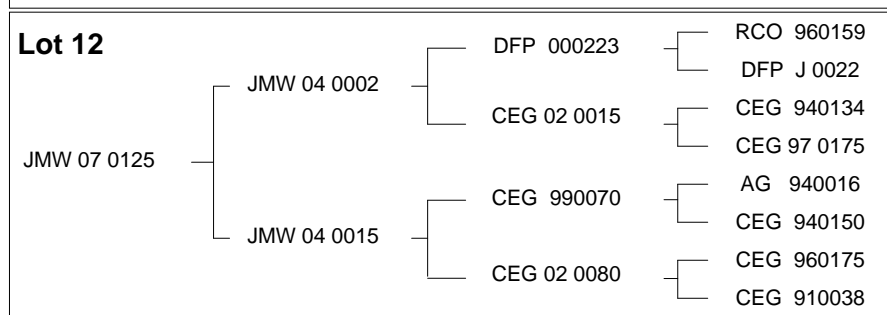
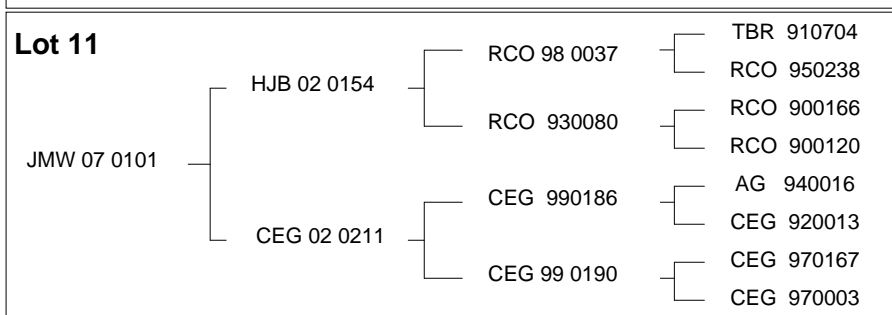
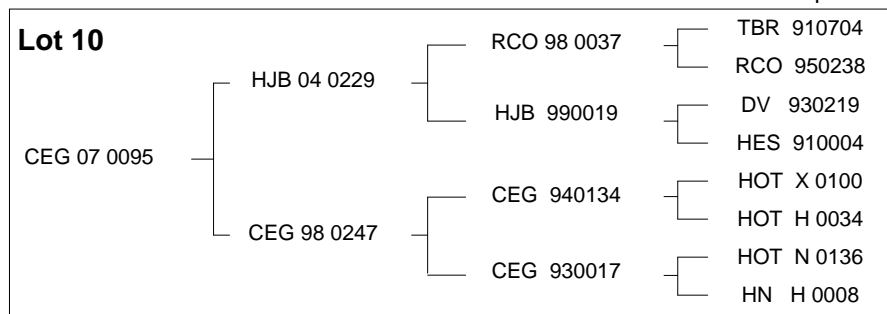
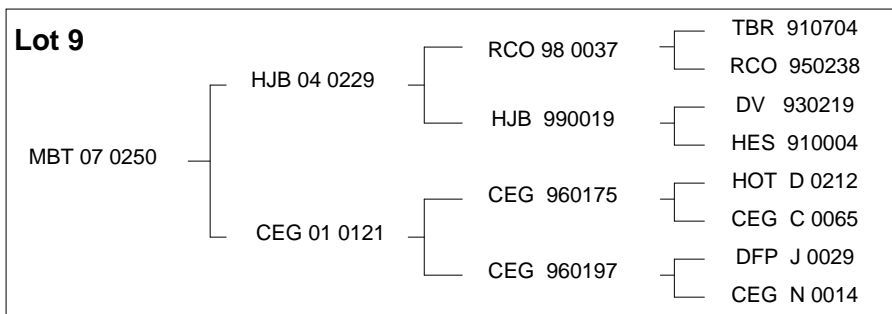
# BONSMARA BEESTELERSGENOOTSKAP VAN SA

Saamgestel deur die Suid-Afrikaanse Stamboek- en Veeverbeteringsvereniging

Stamboom- en Prestasiedata korrek gesertifiseer

Veilingsdatum: 09/09/2010

Data soos op 19/07/2010 09:50:10





# BONSMARA CATTLE BREEDERS' SOCIETY OF SA

Compiled by the South African Stud Book and Livestock Improvement Association

Pedigree- and Performance data certified correct

Auction Date: 09/09/2010  
Data as on 19/07/2010 09:50:13

## BULLS

| Lot | Seller                 | ID          | Sec  | Phase | BIRTH       |             | GROWTH RATE |            |            |            |            | EFFICIENCY |            |           | MEASURE     |           |          | REPROD    |             | PARENTS    |             |             |      |        |      | BREEDER OWN REMARKS |                                   |
|-----|------------------------|-------------|------|-------|-------------|-------------|-------------|------------|------------|------------|------------|------------|------------|-----------|-------------|-----------|----------|-----------|-------------|------------|-------------|-------------|------|--------|------|---------------------|-----------------------------------|
|     |                        |             |      |       | Birth Dir   | Birth Mat   | Wean Dir    | Wean Mat   | 12M        | 18M        | Matur Wgt  | ADG        | FCR        | DFI       | Feed Prof   | Hgt       | Lgt      | Skin (mm) | Calf Temp   | SC         | Sire        |             | Dam  |        |      |                     |                                   |
|     |                        |             |      |       | Acc         | Acc         | Acc         | Acc        | Acc        | Acc        | Acc        | Acc        | Acc        | Acc       | Acc         | Acc       | Acc      | Acc       | Acc         | ID         | ID          | AFC (m)     | Age  | Ave WI | R.I. |                     |                                   |
| Aw  | Cont                   | Wgt         | Date | Wgt   | Ind         | Ind         | Ind         | Ind        | Ind        | Ind        | Ind        | Ind        | Ind        | Ind       | Ind         | (mm)      | (mm)     | L:H       | (mm)        | Aw         | Aw          | ICP         | Calv | Calv   |      |                     |                                   |
| 17  | MAARTEN BOERDERY TRUST | MBT 07 0217 | SP   | B     | 2.66<br>35  | -0.22<br>30 | 11.7<br>31  | 0.2<br>30  | 12.6<br>37 | 16.2<br>38 | 6.0<br>27  | 121<br>27  | -134<br>27 | 511<br>27 | 10.21<br>27 | -5<br>27  | 5<br>27  | -         | 23.00<br>49 | 16.6<br>27 | HJB 02 0154 | CEG 040083  | 31   | 4      | 97   | 112                 |                                   |
|     |                        |             |      | 14    | 43          | 04.10.07    | 261         | 97         | 99         | 100        |            | -          | -          |           |             | -         | -        | -         |             |            | -           | -           | 319  | 2      | 1    |                     |                                   |
| 18  | MAARTEN BOERDERY TRUST | MBT 07 0281 | SP   | C     | 1.54<br>34  | 0.00<br>27  | 10.4<br>31  | 2.6<br>28  | 20.7<br>28 | 24.9<br>28 | 26.0<br>25 | 137<br>35  | -205<br>33 | 443<br>35 | 15.58<br>35 | 5<br>41   | 16<br>35 | 17        | 48.00<br>40 | 8.0<br>39  | CEG 050056  | MBT 05 0108 | 31   | 5      | 104  | 102                 | Silwer Poena                      |
|     |                        |             |      | 602   | 34          | 19.11.07    | 263         | 102        | -          | -          |            | 103        | 106        |           |             | 1209      | 1337     | 1.11      |             | 342        | -           | -           | 430  | 3      | 2    |                     |                                   |
| 19  | MOOISPRUIT BONSMARA    | JMW 07 0119 | SP   | D     | -1.78<br>34 | -0.51<br>27 | -1.7<br>31  | 0.6<br>28  | 6.2<br>37  | 8.5<br>27  | 5.0<br>25  | 61<br>35   | -125<br>26 | 67<br>26  | 56.32<br>32 | -3<br>41  | 4<br>35  | 16        | 48.00<br>32 | 1.5<br>39  | JMW 05 0025 | JMW 05 0019 | 29   | 5      | 105  | 105                 | Versbul                           |
|     |                        |             |      | 39    | 29          | 17.10.07    | 258         | 101        | -          | -          |            | 92         | -          |           |             | 1166      | 1376     | 1.18      |             | 365        | -           | -           | 437  | 3      | 2    |                     |                                   |
| 20  | MOOISPRUIT BONSMARA    | JMW 07 0075 | SP   | D     | 0.87<br>35  | -0.43<br>28 | 3.8<br>31   | -0.2<br>28 | 5.0<br>37  | 5.1<br>28  | -6.0<br>26 | 52<br>35   | 9<br>26    | 226<br>26 | 1.29<br>33  | 3<br>42   | 10<br>35 | 16        | 36.00<br>40 | 23.9<br>39 | JMW 04 0002 | GTR 00 0040 | 35   | 9      | 92   | 105                 |                                   |
|     |                        |             |      | 39    | 39          | 28.09.07    | 257         | 96         | -          | -          |            | 96         | -          |           |             | 1178      | 1415     | 1.2       |             | 396        | -           | -           | 395  | 7      | 6    |                     |                                   |
| 21  | MAARTEN BOERDERY TRUST | CEG 05 0021 | SP   | C     | 1.60<br>95  | 0.64<br>73  | 9.5<br>88   | 3.1<br>72  | 15.1<br>89 | 17.7<br>86 | 20.0<br>72 | 41<br>88   | 74<br>82   | 235<br>84 | 7.59<br>88  | -18<br>92 | -7<br>87 | 15        | 19.00<br>66 | 14.6<br>90 | AG 960233   | CEG 930080  | 28   | 14     | 102  | 113                 | Silwer Kuddevaar 102 kalwers 39kg |
|     |                        |             |      | 19    | 49          | 17.03.05    | 245         | 106        | -          | -          |            | 106        | 102        |           |             | 1190      | 1383     | 1.16      |             | 361        | -           | -           | 377  | 12     | 10   |                     |                                   |
| 22  | MAARTEN BOERDERY TRUST | JMP 05 0241 | SP   | C     | 1.55<br>91  | -0.34<br>59 | 10.3<br>79  | 5.2<br>59  | 17.3<br>75 | 21.4<br>59 | 22.0<br>58 | 37<br>81   | -188<br>71 | -71<br>74 | 9.14<br>80  | 2<br>87   | 10<br>80 | 17        | 46.00<br>39 | 1.2<br>85  | JMP 030231  | JMP 020346  | 34   | 3      | 107  | 96                  | Silwer Kuddevaar 53 kalwers 39kg  |
|     |                        |             |      | 24    | 37          | 16.09.05    | 263         | 107        | -          | -          |            | 95         | 110        |           |             | 1199      | 1383     | 1.15      |             | 322        | -           | -           | -    | 1      | 1    |                     |                                   |
| 23  | MOOISPRUIT BONSMARA    | JMW 07 0123 | SP   | D     | 4.62<br>35  | 0.97<br>29  | 14.2<br>31  | 5.4<br>29  | 25.1<br>37 | 32.3<br>28 | 30.0<br>27 | 138<br>35  | -152<br>27 | 443<br>27 | 12.67<br>33 | 11<br>41  | 16<br>35 | 16        | 38.00<br>44 | 9.1<br>39  | CEG 05 0021 | CEG 99 0126 | 35   | 10     | 105  | 100                 |                                   |
|     |                        |             |      | 39    | 53          | 19.10.07    | 283         | 101        | -          | -          |            | 107        | -          |           |             | 1187      | 1427     | 1.2       |             | 356        | -           | -           | 419  | 7      | 7    |                     |                                   |
| 24  | MOOISPRUIT BONSMARA    | JMW 07 0165 | SP   | D     | 1.08<br>34  | -0.02<br>28 | 11.9<br>31  | 4.9<br>29  | 38.7<br>37 | 51.9<br>27 | 41.0<br>27 | 179<br>34  | -93<br>26  | 860<br>26 | 1.69<br>32  | 7<br>41   | 21<br>34 | 20        | 49.00<br>42 | 8.4<br>38  | GCD 040115  | CEG 02 0200 | 36   | 8      | 112  | 101                 |                                   |
|     |                        |             |      | 39    | 44          | 24.11.07    | 290         | 124        | -          | -          |            | 114        | -          |           |             | 1194      | 1417     | 1.19      |             | 347        | -           | -           | 406  | 5      | 4    |                     |                                   |

|      |       |     |     |     |      |     |    |     |     |     |    |   |  |      |     |
|------|-------|-----|-----|-----|------|-----|----|-----|-----|-----|----|---|--|------|-----|
| 0.06 | -0.06 | 3.1 | 0.9 | 9.2 | 11.6 | 4.7 | 53 | -61 | 136 | 8.4 | -4 | 4 |  | 40.1 | 6.4 |
|------|-------|-----|-----|-----|------|-----|----|-----|-----|-----|----|---|--|------|-----|

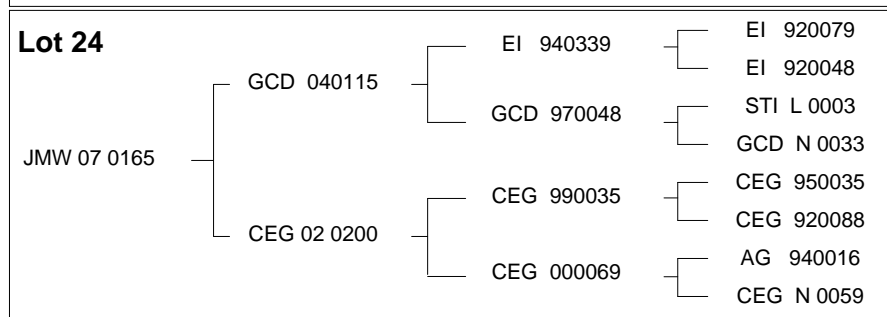
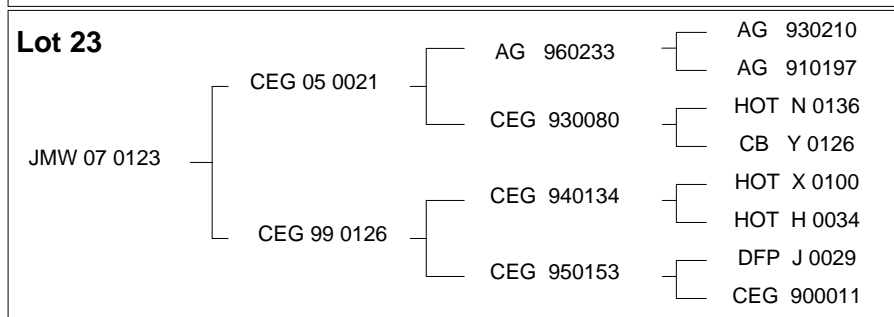
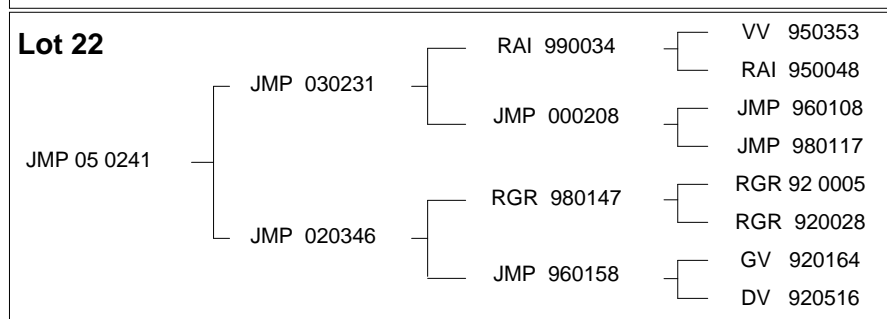
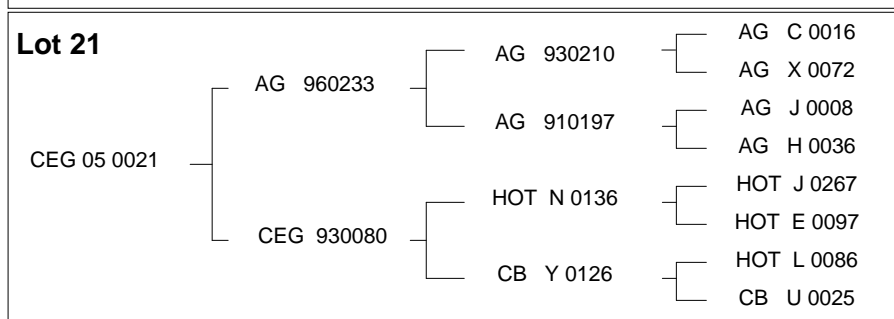
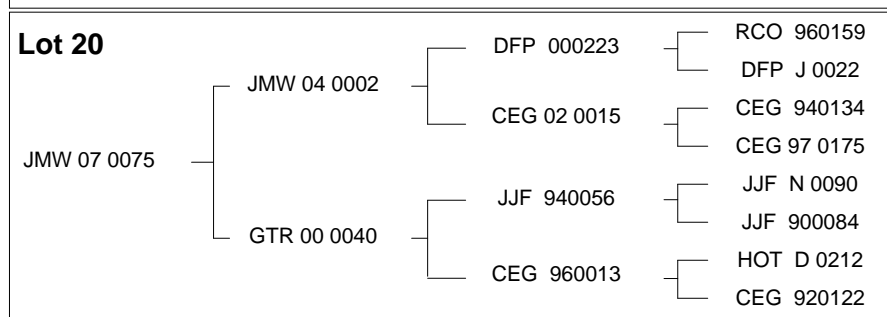
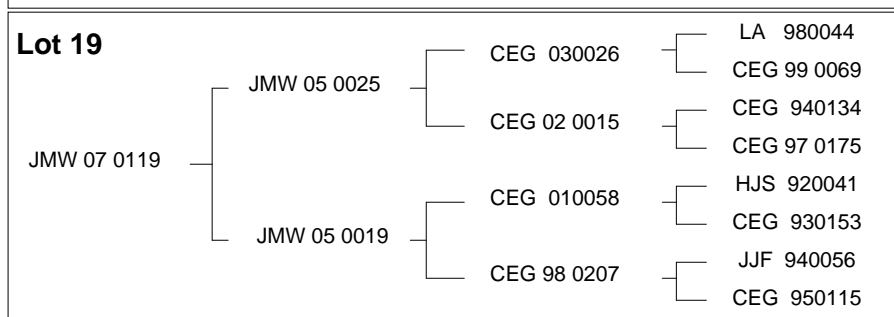
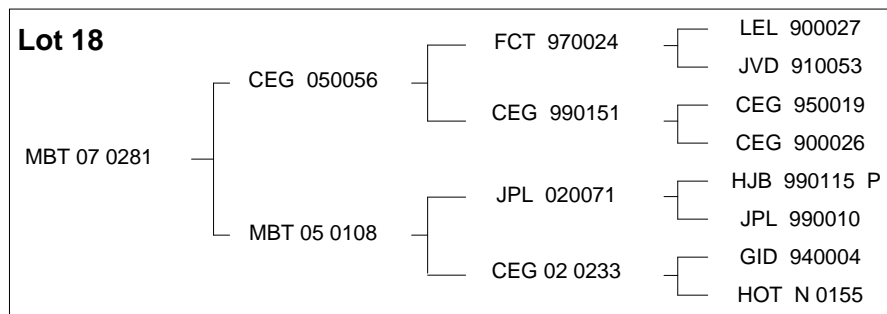
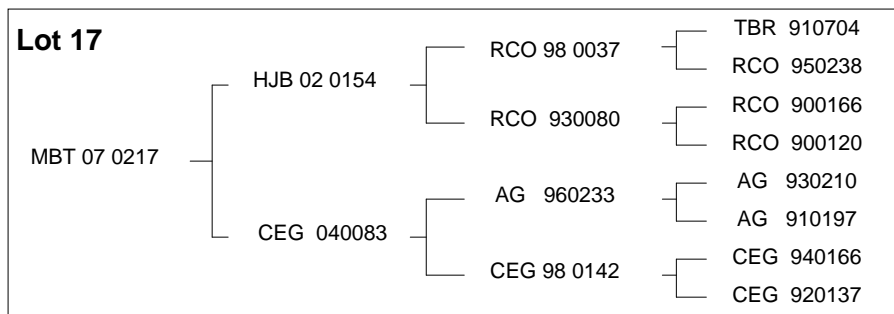


# BONSMARA CATTLE BREEDERS' SOCIETY OF SA

Compiled by the South African Stud Book and Livestock Improvement Association

Pedigree- and Performance data certified correct

Auction Date: 09/09/2010  
Data as on 19/07/2010 09:50:13





# BONSMARA BEESTELERSGENOOTSAP VAN SA

Saamgestel deur die Suid-Afrikaanse Stamboek- en Veeverbeteringsvereniging

Stamboom- en Prestasiedata korrek gesertifiseer

Veilingsdatum: 09/09/2010  
Data soos op 19/07/2010 09:50:16

## BULLE

| Lot  | Verkoper               | ID          | Afd   | Fase | GEBORTE     |             | GROEIVERMOË |            |            |            |            | DOELTREFF |            |            | MATES       |           |           | REPROD   |             | OUERS      |             |             |         |      |        | TELER SE EIE<br>OPMERKINGS |              |
|------|------------------------|-------------|-------|------|-------------|-------------|-------------|------------|------------|------------|------------|-----------|------------|------------|-------------|-----------|-----------|----------|-------------|------------|-------------|-------------|---------|------|--------|----------------------------|--------------|
|      |                        |             |       |      | Geb Dir     | Geb Mat     | Speen Dir   | Speen Mat  | 12M        | 18M        | Volw Gew   | GDT       | VOV        | GDI        | Voer Wins   | Hgt       | Lgt       | Vel (mm) | Kalf Temp   | SO         | Vaar        |             | Moer    |      |        |                            |              |
|      |                        |             |       |      | Akk         | Akk         | Akk         | Akk        | Akk        | Akk        | Akk        | Akk       | Akk        | Akk        | Akk         | Akk       | Akk       | Akk      | Akk         | Akk        | ID          | ID          | OEK (m) | Oud  | Gem SI |                            | R.I.         |
| Toek | Tydg                   | Gew         | Datum | Gew  | Ind         | Ind         | Ind         | Ind        | Ind        | Ind        | Ind        | Ind       | Ind        | Ind        | Ind         | (mm)      | (mm)      | L:H      | (mm)        | Toek       | Toek        | TKP         | Kalw    | Kalf |        |                            |              |
| 25   | MAARTEN BOERDERY TRUST | MBT 08 0011 | SP    | C    | 0.00<br>35  | -0.62<br>29 | 6.8<br>31   | -2.5<br>29 | 19.7<br>28 | 27.9<br>28 | 6.0<br>27  | 168<br>35 | -429<br>34 | 208<br>35  | 54.09<br>36 | 3<br>41   | 15<br>35  | 14       | 57.00<br>43 | -2.2<br>39 | HJB 04 0229 | CEG 04 0063 | 31      | 6    | 100    | 105                        | Goud         |
|      |                        |             |       | 27   | 32          | 26.02.08    | 215         | 105        | -          | -          |            | 111       | 108        |            |             | 1164      | 1327      | 1.14     |             | 334        | -           | -           | 413     | 4    | 3      |                            |              |
| 26   | MAARTEN BOERDERY TRUST | MBT 08 0049 | SP    | C    | 0.40<br>34  | -0.10<br>27 | 4.8<br>31   | 2.1<br>28  | 12.2<br>28 | 12.6<br>28 | 8.0<br>25  | 139<br>35 | -260<br>34 | 246<br>35  | 56.20<br>35 | -6<br>41  | -3<br>35  | 18       | 36.00<br>40 | -3.5<br>39 | CEG 05 0056 | CEG 05 0054 | 35      | 5    | 100    | 104                        | Silwer Poena |
|      |                        |             |       | 27   | 36          | 08.03.08    | 222         | 107        | -          | -          |            | 105       | 106        |            |             | 1170      | 1326      | 1.13     |             | 335        | -           | -           | 364     | 3    | 2      |                            |              |
| 27   | MAARTEN BOERDERY TRUST | MBT 08 0115 | SP    | D    | 1.03<br>34  | -0.50<br>27 | 8.0<br>31   | 2.5<br>27  | 24.4<br>37 | 30.4<br>28 | 30.0<br>25 | 185<br>35 | -169<br>26 | 646<br>26  | 24.46<br>32 | 13<br>41  | 19<br>35  | 16       | 31.00<br>41 | 10.7<br>39 | CEG 05 0056 | MBT 05 0131 | 36      | 3    | 103    | 90                         | Poena        |
|      |                        |             |       | 11   | 34          | 08.05.08    | 211         | 103        | -          | -          |            | 101       | -          |            |             | 1164      | 1367      | 1.17     |             | 335        | -           | -           | -       | 1    | 1      |                            |              |
| 28   | MOOISPRUIT BONSMARA    | JMW 07 0188 | SP    | C    | 2.04<br>35  | -1.13<br>31 | 5.6<br>32   | -2.4<br>31 | 0.5<br>29  | 2.7<br>29  | 4.0<br>29  | -44<br>36 | -64<br>35  | -354<br>37 | -0.44<br>37 | -19<br>42 | -12<br>36 | 18       | 36.00<br>48 | -1.5<br>40 | CEG 03 0101 | CEG 06 0182 | 28      | 13   | 95     | 111                        | Silwer       |
|      |                        |             |       | 20   | 42          | 01.10.07    | 263         | 97         | -          | -          |            | 96        | 102        |            |             | 1170      | 1446      | 1.24     |             | 352        | -           | -           | 388     | 11   | 11     |                            |              |
| 29   | MOOISPRUIT BONSMARA    | JMW 08 0029 | SP    | D    | -0.82<br>35 | -0.79<br>28 | -0.8<br>32  | 0.1<br>29  | 5.9<br>37  | 6.5<br>28  | -8.0<br>27 | 67<br>36  | -183<br>27 | -34<br>27  | 47.66<br>33 | 1<br>42   | 2<br>36   | 16       | 54.00<br>10 | -5.6<br>40 | JMW 05 0025 | CEG 02 0144 | 31      | 8    | 102    | 113                        |              |
|      |                        |             |       | 19   | 36          | 18.03.08    | 181         | 100        | -          | -          |            | 103       | -          |            |             | 1166      | 1366      | 1.17     |             | 317        | -           | -           | 361     | 6    | 5      |                            |              |
| 30   | MOOISPRUIT BONSMARA    | JMW 08 0024 | SP    | D    | -1.37<br>35 | -0.98<br>28 | -0.5<br>31  | 2.0<br>28  | 8.3<br>37  | 9.4<br>28  | -4.0<br>26 | 79<br>36  | -14<br>26  | 349<br>26  | 3.50<br>33  | 10<br>42  | 18<br>36  | 14       | 44.00<br>40 | 25.6<br>40 | JMW 04 0002 | GTR 00 0004 | 30      | 9    | 99     | 109                        | Versbul      |
|      |                        |             |       | 19   | 30          | 18.03.08    | 183         | 105        | -          | -          |            | 90        | -          |            |             | 1166      | 1396      | 1.2      |             | 377        | -           | -           | 397     | 7    | 6      |                            |              |
| 31   | MAARTEN BOERDERY TRUST | MBT 08 0044 | SP    | C    | 0.77<br>35  | -0.06<br>29 | 4.4<br>32   | 3.4<br>30  | 14.9<br>29 | 21.4<br>28 | 18.0<br>28 | 213<br>36 | -122<br>35 | 990<br>36  | 33.53<br>36 | 21<br>42  | 24<br>36  | 18       | 59.00<br>45 | 20.6<br>40 | GCD 04 0115 | CEG 08 0194 | 35      | 10   | 102    | 106                        | Brons        |
|      |                        |             |       | 27   | 39          | 07.03.08    | 202         | 93         | -          | -          |            | 108       | 97         |            |             | 1210      | 1365      | 1.13     |             | 388        | -           | -           | 387     | 8    | 8      |                            |              |
| 32   | MAARTEN BOERDERY TRUST | MBT 08 0061 | SP    | D    | 0.06<br>35  | 0.16<br>29  | 4.5<br>32   | 2.0<br>29  | 15.9<br>37 | 21.3<br>27 | 5.0<br>27  | 172<br>36 | -120<br>27 | 846<br>27  | 9.65<br>33  | 19<br>42  | 25<br>36  | 15       | 59.00<br>42 | 9.4<br>40  | FAN 04 0103 | HOT 07 0173 | 34      | 12   | 102    | 103                        |              |
|      |                        |             |       | 11   | 34          | 12.03.08    | 200         | 95         | -          | -          |            | 110       | -          |            |             | 1158      | 1406      | 1.21     |             | 340        | -           | -           | 409     | 9    | 9      |                            |              |

|      |       |     |     |     |      |     |    |     |     |     |    |   |  |      |     |
|------|-------|-----|-----|-----|------|-----|----|-----|-----|-----|----|---|--|------|-----|
| 0.06 | -0.06 | 3.1 | 0.9 | 9.2 | 11.6 | 4.7 | 53 | -61 | 136 | 8.4 | -4 | 4 |  | 40.1 | 6.4 |
|------|-------|-----|-----|-----|------|-----|----|-----|-----|-----|----|---|--|------|-----|

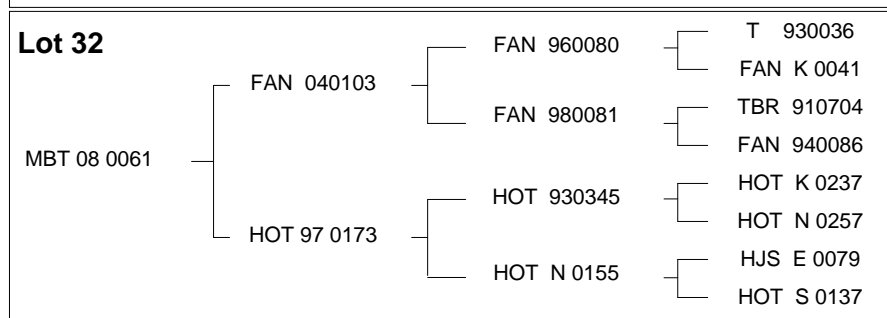
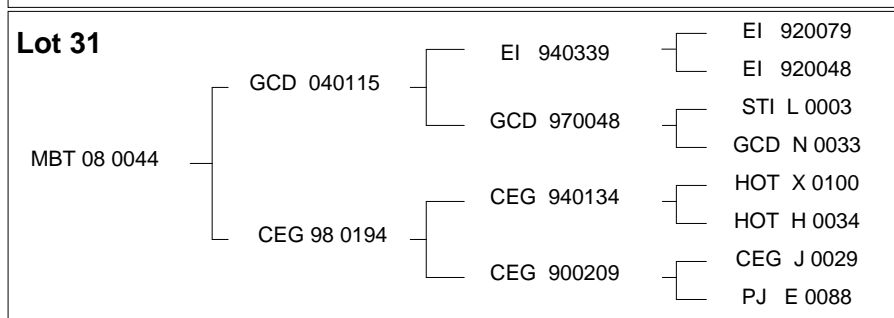
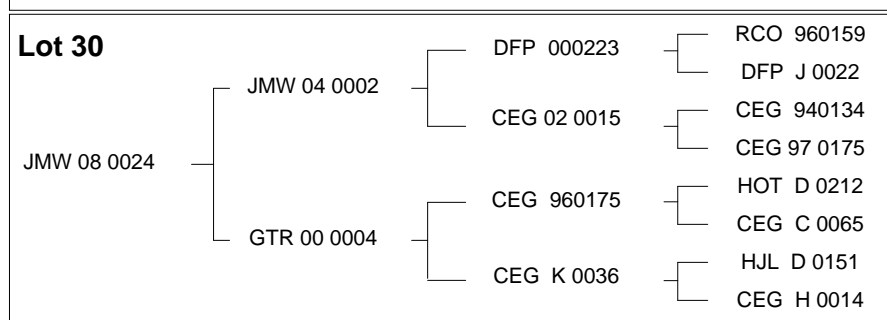
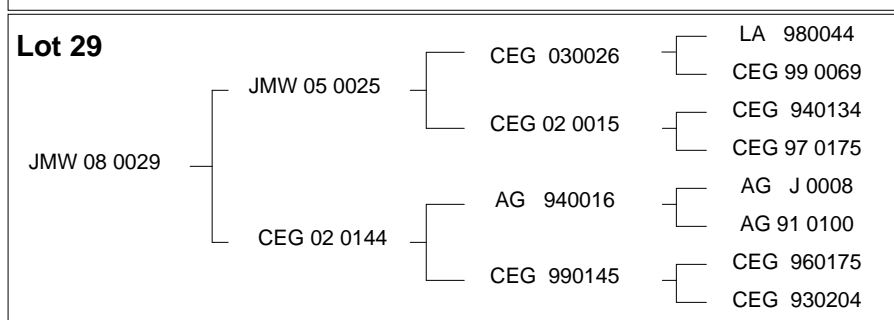
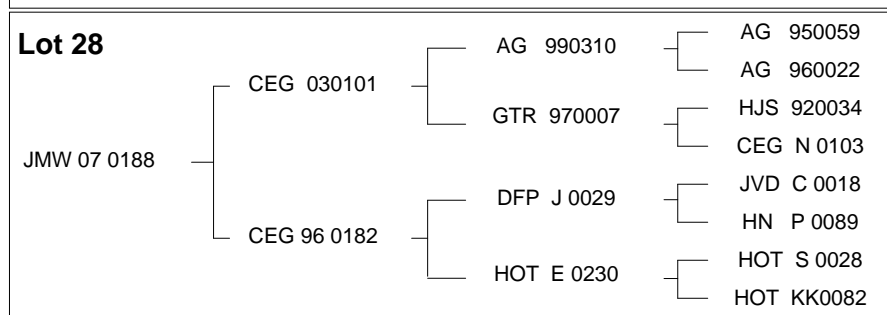
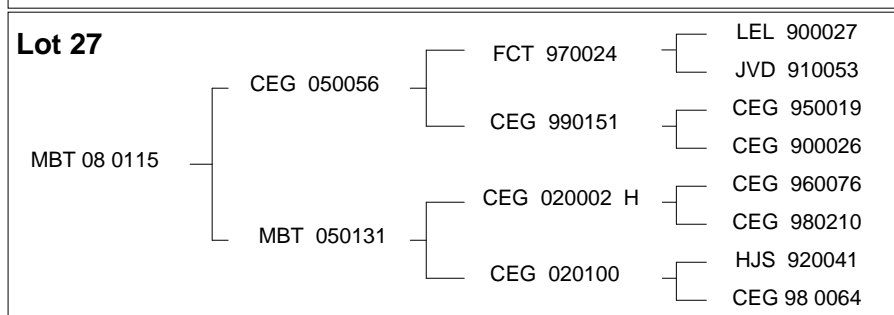
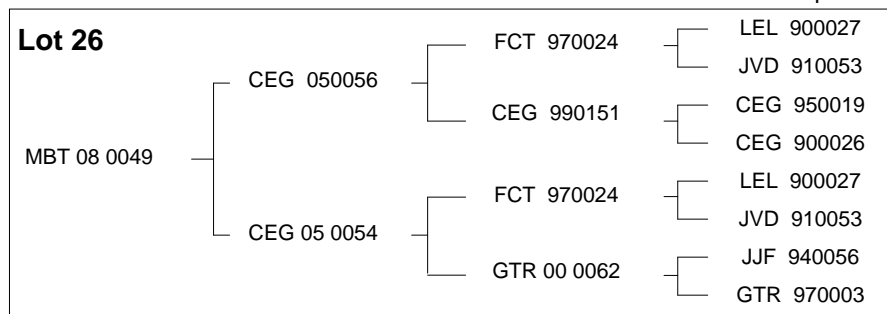
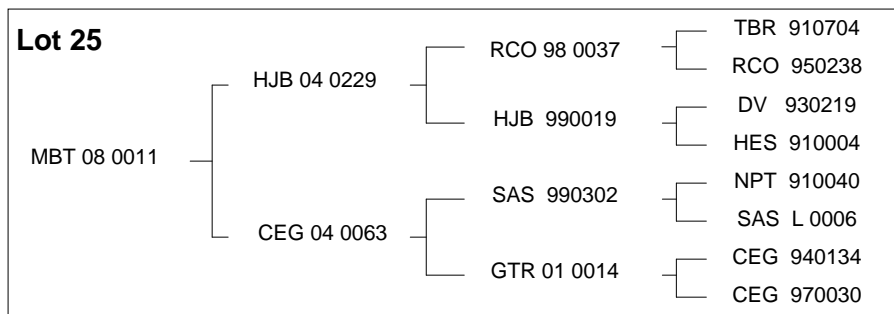


# BONSMARA BEESTELERSGENOOTSKAP VAN SA

Saamgestel deur die Suid-Afrikaanse Stamboek- en Veeverbeteringsvereniging

Stamboom- en Prestasiedata korrek gesertifiseer

Veilingsdatum: 09/09/2010  
Data soos op 19/07/2010 09:50:16





# BONSMARA CATTLE BREEDERS' SOCIETY OF SA

Compiled by the South African Stud Book and Livestock Improvement Association

Pedigree- and Performance data certified correct

Auction Date: 09/09/2010  
Data as on 19/07/2010 09:50:19

## BULLS

| Lot | Seller                 | ID          | Sec  | Phase | BIRTH       |             | GROWTH RATE |            |            |            |            | EFFICIENCY |            |           | MEASURE     |          |          | REPROD    |             | PARENTS    |              |              |     |        | BREEDER OWN REMARKS |      |                       |
|-----|------------------------|-------------|------|-------|-------------|-------------|-------------|------------|------------|------------|------------|------------|------------|-----------|-------------|----------|----------|-----------|-------------|------------|--------------|--------------|-----|--------|---------------------|------|-----------------------|
|     |                        |             |      |       | Birth Dir   | Birth Mat   | Wean Dir    | Wean Mat   | 12M        | 18M        | Matur Wgt  | ADG        | FCR        | DFI       | Feed Prof   | Hgt      | Lgt      | Skin (mm) | Calf Temp   | SC         | Sire         |              | Dam |        |                     |      |                       |
|     |                        |             |      |       | Acc         | Acc         | Acc         | Acc        | Acc        | Acc        | Acc        | Acc        | Acc        | Acc       | Acc         | Acc      | Acc      | Acc       | Acc         | ID         | ID           | AFC (m)      | Age | Ave WI |                     | R.I. |                       |
| Aw  | Cont                   | Wgt         | Date | Wgt   | Ind         | Ind         | Ind         | Ind        | Ind        | Ind        | Ind        | (mm)       | (mm)       | L:H       | (mm)        | Aw       | Aw       | ICP       | Calv        | Calv       |              |              |     |        |                     |      |                       |
| 33  | MAARTEN BOERDERY TRUST | MBT 08 0100 | SP   | D     | 0.64<br>34  | -0.67<br>29 | 6.8<br>31   | -1.7<br>30 | 7.8<br>37  | 11.7<br>28 | 6.0<br>27  | 57<br>35   | -16<br>27  | 255<br>27 | -3.04<br>33 | -6<br>41 | 3<br>35  | 13        | 44.00<br>46 | 0.2<br>39  | HJB 02 0154  | MBT 04 0254  | 28  | 5      | 98                  | 103  |                       |
|     |                        |             |      | 11    | 34          | 04.04.08    | 206         | 99         | -          | -          |            | 91         | -          |           |             | 1139     | 1348     | 1.18      |             | 319        | -            | -            | 475 | 3      | 3                   |      |                       |
| 34  | MAARTEN BOERDERY TRUST | MBT 08 0107 | SP   | D     | 0.03<br>35  | 0.06<br>30  | 5.0<br>32   | -0.7<br>31 | 19.2<br>37 | 26.8<br>29 | 25.0<br>28 | 168<br>36  | -177<br>28 | 705<br>28 | 15.17<br>34 | 15<br>42 | 20<br>36 | 15        | 32.00<br>48 | 21.5<br>40 | HJB 02 0154  | HJS 980200   | 29  | 10     | 99                  | 103  |                       |
|     |                        |             |      | 11    | 33          | 21.04.08    | 209         | 101        | -          | -          |            | 108        | -          |           |             | 1166     | 1378     | 1.18      |             | 357        | -            | -            | 438 | 7      | 6                   |      |                       |
| 35  | MOOISPRUIT BONSMARA    | JMW 08 0020 | SP   | D     | 1.89<br>35  | -0.04<br>28 | 9.1<br>32   | 2.6<br>28  | 17.8<br>37 | 22.5<br>29 | 11.0<br>26 | 167<br>36  | -219<br>27 | 616<br>27 | 27.75<br>33 | 16<br>42 | 23<br>36 | 13        | 42.00<br>10 | 28.0<br>40 | JMW 04 0002  | CEG 98 0142  | 36  | 11     | 103                 | 101  | Moer Elite 2010       |
|     |                        |             |      | 19    | 41          | 14.03.08    | 184         | 98         | -          | -          |            | 109        | -          |           |             | 1165     | 1393     | 1.2       |             | 371        | -            | -            | 418 | 8      | 7                   |      |                       |
| 36  | MOOISPRUIT BONSMARA    | JMW 07 0168 | SP   | D     | 1.70<br>35  | -0.30<br>30 | 8.3<br>28   | -0.2<br>28 | 10.6<br>28 | 13.5<br>27 | 40.0<br>28 | 165<br>35  | -225<br>27 | 549<br>27 | 28.20<br>33 | 10<br>42 | 26<br>35 | 18        | 42.00<br>50 | 0.1<br>40  | HJS 020060 H | HJS 020208 H | 39  | 7      | 94                  | 97   |                       |
|     |                        |             |      | 39    | 45          | 29.11.07    | 296         | 100        | -          | -          |            | 105        | -          |           |             | 1186     | 1449     | 1.22      |             | 349        | -            | -            | 385 | 4      | 4                   |      |                       |
| 37  | MOOISPRUIT BONSMARA    | JMW 07 0113 | SP   | C     | 2.73<br>35  | 0.18<br>28  | 9.2<br>32   | 4.9<br>28  | 16.9<br>28 | 21.5<br>28 | 20.0<br>26 | 105<br>36  | -189<br>33 | 254<br>35 | 43.00<br>36 | 9<br>42  | 19<br>36 | 18        | 60.00<br>39 | 12.8<br>40 | JMW 04 0002  | CEG 02 0010  | 31  | 8      | 109                 | 108  | Moer Voortreflik 2010 |
|     |                        |             |      | 20    | 45          | 14.10.07    | 270         | 99         | -          | -          |            | 92         | 99         |           |             | 1198     | 1375     | 1.15      |             | 360        | -            | -            | 394 | 6      | 5                   |      |                       |
| 38  | MOOISPRUIT BONSMARA    | JMW 07 0118 | SP   | C     | 2.53<br>35  | -0.96<br>30 | 9.8<br>32   | 0.0<br>30  | 19.2<br>29 | 25.2<br>29 | 5.0<br>28  | 157<br>36  | -30<br>35  | 718<br>36 | 28.45<br>36 | 37<br>42 | 29<br>36 | 15        | 43.00<br>50 | 5.1<br>40  | HJB 02 0154  | CEG 99 0254  | 34  | 10     | 102                 | 109  | Brons                 |
|     |                        |             |      | 20    | 41          | 15.10.07    | 283         | 106        | -          | -          |            | 97         | 97         |           |             | 1279     | 1406     | 1.1       |             | 341        | -            | -            | 376 | 8      | 8                   |      |                       |
| 39  | MOOISPRUIT BONSMARA    | JMW 07 0149 | SP   | D     | -0.37<br>35 | -0.38<br>29 | 5.6<br>31   | 0.9<br>29  | 20.8<br>37 | 27.8<br>28 | 10.0<br>27 | 152<br>35  | -140<br>27 | 651<br>27 | 36.98<br>33 | 18<br>41 | 21<br>35 | 18        | 55.00<br>43 | 10.6<br>39 | GCD 040115   | CEG 03 0251  | 35  | 6      | 100                 | 100  |                       |
|     |                        |             |      | 39    | 41          | 07.11.07    | 259         | 110        | -          | -          |            | 105        | -          |           |             | 1206     | 1427     | 1.18      |             | 364        | -            | -            | 417 | 4      | 3                   |      |                       |

|      |       |     |     |     |      |     |    |     |     |     |    |   |  |      |     |
|------|-------|-----|-----|-----|------|-----|----|-----|-----|-----|----|---|--|------|-----|
| 0.06 | -0.06 | 3.1 | 0.9 | 9.2 | 11.6 | 4.7 | 53 | -61 | 136 | 8.4 | -4 | 4 |  | 40.1 | 6.4 |
|------|-------|-----|-----|-----|------|-----|----|-----|-----|-----|----|---|--|------|-----|



# BONSMARA CATTLE BREEDERS' SOCIETY OF SA

Compiled by the South African Stud Book and Livestock Improvement Association

Pedigree- and Performance data certified correct

Auction Date: 09/09/2010  
Data as on 19/07/2010 09:50:19

